



Waterjet Systems
INTERNATIONAL

High-Pressure Waterjet Cutting Pumps

MODEL V40

THE V-SERIES PUMP

**Meet the V40:
High-End Performance.
Low-End Price.**

WSI Waterjet Systems International introduces its newest entry into the waterjet Cutting Pump category with the all-new V40, which utilizes WSI's industrially-proven intensifier technology, for a fraction of the price and footprint. Designed to serve the waterjet cutting needs of the masses, the V40 maximizes efficiency and output, and is poised to make pump ownership a first-time reality for many businesses.



Features and Advantages



- Proven, heavy-duty industrial high-pressure intensifier with ceramic plungers.
- Slow intensifier speed – 25 cycles/minute. This slow speed reduces both the number of pressure spikes in the system and the number of pressure reversals.
- One large (5" OD) accumulator ensures low pulsations in the high-pressure system.
- A pneumatic bleed-down assembly provides depressurization of the high-pressure system immediately upon shutdown.
- All high-pressure tubing and fittings are Autoclave.
- Highly reliable proximity switches control the sequencing of the intensifier.
- Oversized, low-load motor.
- Low hydraulic oil pressure – 3,000 psi / 200 bars.
- A dial, main compensator allows for simple control of the cutting water pressure.
- The unit has a hydraulic oil cooling system with a full-flow oil heat exchanger.
- The oil reservoir has an access lid for easy maintenance.
- Brass fittings are used on the entire inlet water system to protect against corrosion.
- Complete set of spares, special tools, and comprehensive manuals are included with each unit.

For businesses both large and small, WSI Waterjet Systems International is defined by its commitment to quality, value, and service, which continues long after the sale. WSI takes pride in being the globally established, recommended, and trusted designer, manufacturer and servicer of ultra-high-pressure and high-performance waterjet cutting pumps and replacement parts. Only WSI delivers hand-crafted, patented technology, reduced operation costs, a longer running life, and a truly unique approach to providing customers with the long-term relationship necessary for the successful operation and maintenance of its waterjet cutting pumps.



Waterjet Systems
INTERNATIONAL

UNRIVALED DEPENDABILITY IN CUTTING PUMPS, PARTS AND SERVICE



Waterjet Systems
INTERNATIONAL

High-Pressure Waterjet Cutting Pumps

MODEL V40

TECHNICAL SPECIFICATIONS

Design Pressure:

60,000 psi (4,140 bars)

Maximum Operating Pressure:

55,000 psi (3,800 bars)

High-Pressure Flow Rate:

.80 gpm (3.03 lpm)

Intensifier Cycle Rate:

25 cycles/min. at max. flow rate

Electrical System:

Main Motor: 40 hp / 30 kW (TEFC)

208v / 3 ph. / 60 Hz

240v / 3 ph. / 60 Hz

480v / 3 ph. / 60 Hz

400v / 3 ph. / 50 Hz

Air/Oil Heat Exchanger Motor: 1/4 hp / 0.18 kW

120 VAC / 1 ph. / 60-50 Hz

208 VAC / 1 ph. / 60-50 Hz

240 VAC / 1 ph. / 60-50 Hz

Motor Speeds:

1800 rpm @ 60 Hz

1500 rpm @ 50 Hz

Controls:

120 VAC / 24 VDC

Safety Shutdown Circuits:

High Oil Temperature

Low Oil Level

Low Water Pressure

Intensifier Over-Speed

Intensifier Stall

Hydraulic System:

2.75 cu. in. (45 cu. cm) Axial Piston Pump

Max. Operating Pressure: 3,000 psi (207 bars)

Cooling Water Flow Rate: 2 gpm (7.56 lpm)

Low-Pressure Cutting Water System:

Optimum Inlet Pressure: 65 psi (4.50 bars)

Booster Pump Setting: 175 psi (12.0 bars)

Orifice Capacity at 55,000 psi (3,800 bars):

Quantity / Orifice Diameter

1 – 0.012 in. (0.30 mm)

1 – 0.010 in. (0.25 mm)

2 – 0.007 in. (0.17 mm)

4 – 0.005 in. (0.12 mm)

Physical Dimensions:

Height: 36 inches (0.92 meters)

Width: 34 inches (0.86 meters)

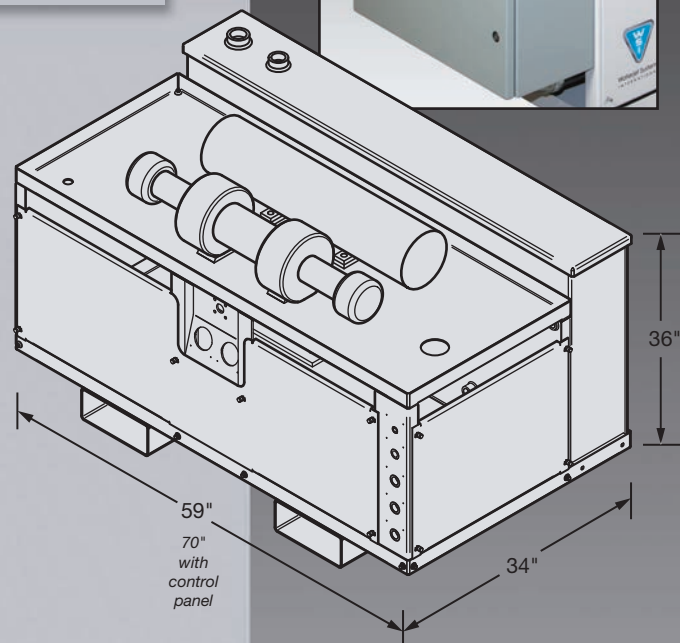
Length: 59 inches (1.50 meters) without control panel

Length: 70 inches (1.78 meters) with control panel

Weight: 1,850 pounds (840 kg)

**The V40 –
Lowest Price...
Highest Quality!**

The V40 utilizes only the highest quality components such as Bosch Rex Roth hydraulics, Allen-Bradley electronics, and Autoclave tubing and fittings throughout the system.



Waterjet Systems
INTERNATIONAL

www.wsi-waterjet.com

info@wsi-waterjet.com

Joplin, Missouri USA

US/Int'l Phone: 417-781-7778

US/Int'l Fax: 417-781-7982

Bioggio / Switzerland

Europe Phone: +41.91.2204184

Europe Fax: +41.91.2204185

SPECIFICATIONS SUBJECT TO CHANGE WITHOUT NOTICE

UNRIVALED DEPENDABILITY IN CUTTING PUMPS, PARTS AND SERVICE